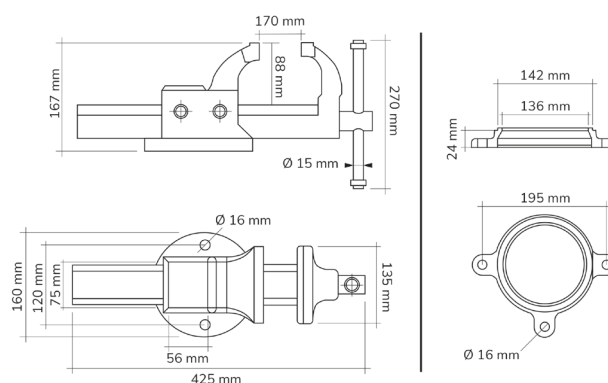


PROFESSIONAL VICE WITH SWIVEL BASE, WORK STRONG MODEL



The photo is used only for illustrative and non-exhaustive purpose

ART.	EAN	W [mm]	D [mm]	H [mm]	Net weight [kg]
IRONTEAM007	8052693265206	230	425	190	15,7

Property	Colour	Anthracite grey
	RAL	7016

Sales specifications	Multiple order [NR]	1
	Assembly	Unassembled
	Gross weight [kg]	16,5
	Cardboard weight [kg]	0,850
	Packaging volume [m ³]	0,0281

Made up of:

Quantity	ART.	Description
1	F22FABL11700039	Work Strong model professional vice
1	F22FABL1170BA39	Swivel base for Work Strong vice

Tolerances: dimensions ±2%; weights ±5%



INNOVATION
SINCE 1929.



Company certificated ISO 9001

FAMIS.r.l.

VIA STAZIONE ROSSANO, 13 - 36027 ROSÀ (VI) ITALY
TEL +39 0424 585455 - FAX +39 0424 585470
INFO@FAMISPA.COM

R.I. DI VICENZA, C.F. & P. IVA IT03498610249
CAPITALE SOCIALE EURO 100.000,00 INT. VERS.
CCIAA VI: R.E.A. N° 330190

Soggetta ad attività di direzione e coord. di C.I.M.M. S.p.A.

FAMI EXPORT DEPT.
TEL +39 0424 585455
FAX +39 0424 585472
EXPORT@FAMISPA.COM

WWW.FAMISPA.COM

STOREVAN
TEL +39 0424 585455
FAX +39 0424 585482
INFO@STOREVAN.IT

WWW.STOREVAN.COM