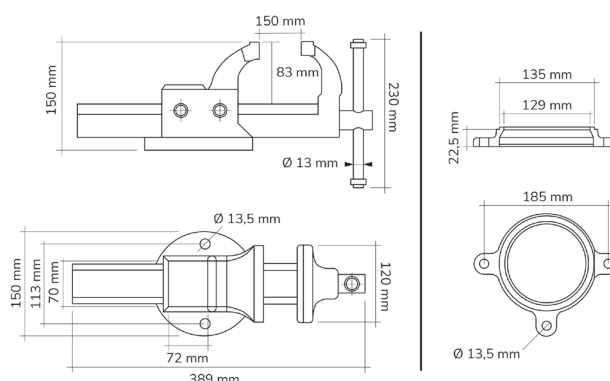


# PROFESSIONAL VICE WITH SWIVEL BASE, WORK GO MODEL



The photo is used only for illustrative and non-exhaustive purpose

ART.	EAN	W [mm]	D [mm]	H [mm]	Net weight [kg]
IRONTEAM006	8052693265190	218	389	171	11,4

Property	Colour	Anthracite grey
	RAL	7016

Sales specifications	Multiple order [NR]	1
	Assembly	Unassembled
	Gross weight [kg]	11,9
	Cardboard weight [kg]	0,480
	Packaging volume [m <sup>3</sup> ]	0,0133

Made up of:

Quantity	ART.	Description
1	F22FABL11650039	Work Go model professional vice
1	F22FABL1165BA39	Swivel base for Work Go vice

Tolerances: dimensions ±2% | weights ±5%



INNOVATION  
SINCE 1929.



Company certificated ISO 9001

#### FAMIS.r.l.

VIA STAZIONE ROSSANO, 13 – 36027 ROSÀ (VI) ITALY  
TEL +39 0424 585455 – FAX +39 0424 585470  
INFO@FAMISPA.COM

R.I. DI VICENZA, C.F. & P. IVA IT03498610249  
CAPITALE SOCIALE EURO 100.000,00 INT. VERS.  
CCIAA VI: R.E.A. N° 330190

Soggetta ad attività di direzione e coord. di C.I.M.M. S.p.A.

FAMI EXPORT DEPT.  
TEL +39 0424 585455  
FAX +39 0424 585472  
EXPORT@FAMISPA.COM

[WWW.FAMISPA.COM](http://WWW.FAMISPA.COM)

STOREVAN  
TEL +39 0424 585455  
FAX +39 0424 585482  
INFO@STOREVAN.IT

[WWW.STOREVAN.COM](http://WWW.STOREVAN.COM)