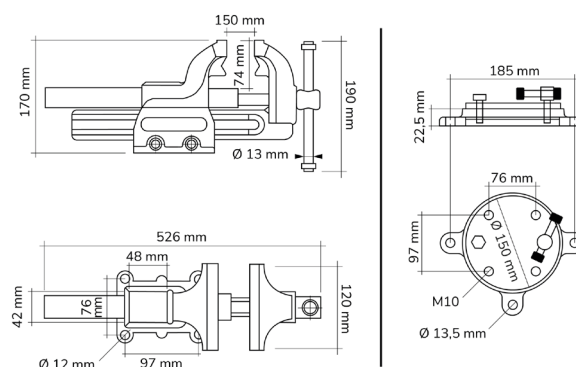


PROFESSIONAL VICE WITH SWIVEL BASE, WORK TECH MODEL



The photo is used only for illustrative and non-exhaustive purpose

ART.	EAN	W [mm]	D [mm]	H [mm]	Net weight [kg]
IRONTEAM004	8052693265176	218	375	203	12,3

Property	Colour	Anthracite grey
	RAL	7016

Sales specifications	Multiple order [NR]	1
	Assembly	Unassembled
	Gross weight [kg]	12,8
	Cardboard weight [kg]	0,550
	Packaging volume [m ³]	0,0182

Made up of:

Quantity	ART.	Description
1	F22FABL11550039	Work Tech model professional vice
1	F22FABL1155BA39	Swivel base for Work Tech vice

Tolerances: dimensions ±2% | weights ±5%



INNOVATION
SINCE 1929.



Company certificated ISO 9001

FAMIS.r.l.

VIA STAZIONE ROSSANO, 13 – 36027 ROSÀ (VI) ITALY
 TEL +39 0424 585455 – FAX +39 0424 585470
 INFO@FAMISPA.COM
 R.I. DI VICENZA, C.F. & P. IVA IT03498610249
 CAPITALE SOCIALE EURO 100.000,00 INT. VERS.
 CCIAA VI: R.E.A. N° 330190
 Soggetta ad attività di direzione e coord. di C.I.M.M. S.p.A.

FAMI EXPORT DEPT.
 TEL +39 0424 585455
 FAX +39 0424 585472
 EXPORT@FAMISPA.COM

WWW.FAMISPA.COM

STOREVAN
 TEL +39 0424 585455
 FAX +39 0424 585482
 INFO@STOREVAN.IT

WWW.STOREVAN.COM