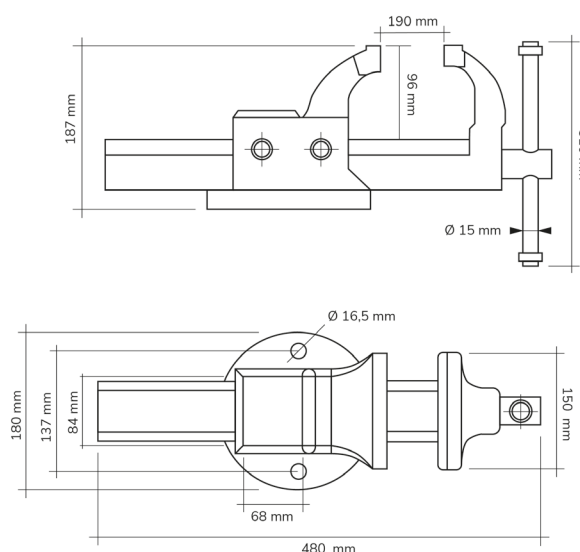


# WORK STRONG MODEL PROFESSIONAL VICE



The photo is used only for illustrative and non-exhaustive purpose

ART.	EAN	W [mm]	D [mm]	H [mm]	Net weight [kg]
F22FABL11750039	8052693261482	180	480	187	19,8

Dimensions	Overall height [mm]	187
	Overall width [mm]	180
	Overall depth [mm]	480
	Jaw width [mm]	150
	Jaw opening [mm]	190

Property	Colour	Anthracite grey
	RAL	7016

Sales specifications	Multiple order [NR]	1
	Packaging type	Cardboard box
	Packaging width [mm]	500
	Packaging depth [mm]	220
	Packaging height [mm]	240
	Gross weight [kg]	21
	Cardboard weight [kg]	0,800
	Packaging volume [m <sup>3</sup> ]	0,0264

Tolerances: dimensions ±2% | weights ±5%



INNOVATION  
SINCE 1929.



Company certificated ISO 9001

#### FAMIS.r.l.

VIA STAZIONE ROSSANO, 13 – 36027 ROSÀ (VI) ITALY  
 TEL +39 0424 585455 – FAX +39 0424 585470  
 INFO@FAMISPA.COM  
 R.I. DI VICENZA, C.F. & P. IVA IT03498610249  
 CAPITALE SOCIALE EURO 100.000,00 INT. VERS.  
 CCIAA VI: R.E.A. N° 330190

Soggetta ad attività di direzione e coord. di C.I.M.M. S.p.A.

FAMI EXPORT DEPT.  
 TEL +39 0424 585455  
 FAX +39 0424 585472  
 EXPORT@FAMISPA.COM

[WWW.FAMISPA.COM](http://WWW.FAMISPA.COM)

STOREVAN  
 TEL +39 0424 585455  
 FAX +39 0424 585482  
 INFO@STOREVAN.IT

[WWW.STOREVAN.COM](http://WWW.STOREVAN.COM)