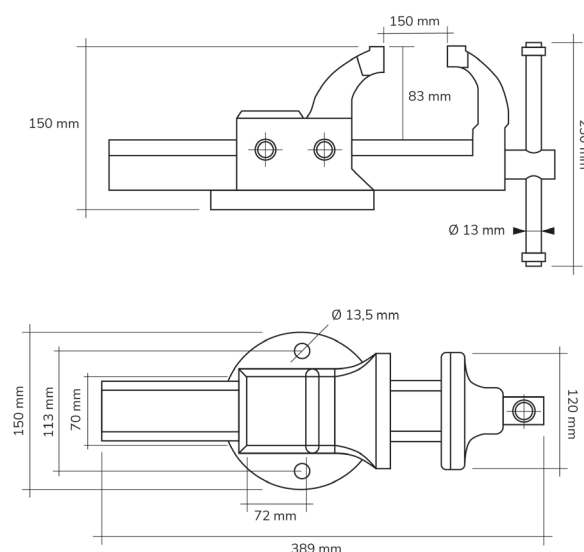


WORK GO MODEL PROFESSIONAL VICE



The photo is used only for illustrative and non-exhaustive purpose

ART.	EAN	W [mm]	D [mm]	H [mm]	Net weight [kg]
F22FABL11650039	8052693261444	150	389	150	10,0

Dimensions	Overall height [mm]	150
	Overall width [mm]	150
	Overall depth [mm]	389
	Jaw width [mm]	120
	Jaw opening [mm]	150

Property	Colour	Anthracite grey
	RAL	7016

Sales specifications	Multiple order [NR]	1
	Packaging type	Cardboard box
	Packaging width [mm]	400
	Packaging depth [mm]	165
	Packaging height [mm]	185
	Gross weight [kg]	10,4
	Cardboard weight [kg]	0,440
	Packaging volume [m ³]	0,0122

Tolerances: dimensions ±2% | weights ±5%



INNOVATION
SINCE 1929.



Company certificated ISO 9001

FAMIS.r.l.

VIA STAZIONE ROSSANO, 13 – 36027 ROSÀ (VI) ITALY
 TEL +39 0424 585455 – FAX +39 0424 585470
 INFO@FAMISPA.COM
 R.I. DI VICENZA, C.F. & P. IVA IT03498610249
 CAPITALE SOCIALE EURO 100.000,00 INT. VERS.
 CCIAA VI: R.E.A. N° 330190

Soggetta ad attività di direzione e coord. di C.I.M.M. S.p.A.

FAMI EXPORT DEPT.
 TEL +39 0424 585455
 FAX +39 0424 585472
 EXPORT@FAMISPA.COM

WWW.FAMISPA.COM

STOREVAN
 TEL +39 0424 585455
 FAX +39 0424 585482
 INFO@STOREVAN.IT

WWW.STOREVAN.COM