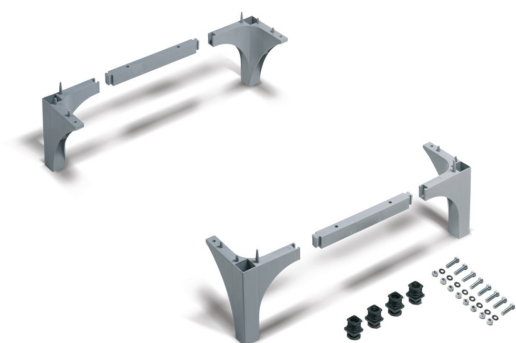


## PAIR OF FEET FOR CHANGING ROOM LOCKER



The photo is used only for illustrative and non-exhaustive purpose

ART.	EAN	W [mm]	D [mm]	H [mm]	Net weight [kg]
FRR23100001	8057711396481	135	500	180/200	0,778

Dimensions	Overall height [mm]	180/200
	Overall width [mm]	135
	Overall depth [mm]	500

Technical data	Material	Polypropylene
----------------	----------	---------------

Property	Colour	Dark grey
	Fixing	Included

Sales specifications	Multiple order [NR]	1
	Packaging type	PE bag
	Packaging width [mm]	500
	Packaging depth [mm]	410
	Packaging height [mm]	135
	Gross weight [kg]	0,835
	Plastic weight [kg]	0,057
Packaging volume [m <sup>3</sup> ]	0,0277	

Tolerances: dimensions  $\pm 2\%$ , weights  $\pm 5\%$



INNOVATION  
SINCE 1929.



Company certificated ISO 9001

### FAMIS.r.l.

VIA STAZIONE ROSSANO, 13 – 36027 ROSÀ (VI) ITALY  
 TEL +39 0424 585455 – FAX +39 0424 585470  
 INFO@FAMISPA.COM  
 R.I. DI VICENZA, C.F. & P. IVA IT03498610249  
 CAPITALE SOCIALE EURO 100.000,00 INT. VERS.  
 CCIAA VI: R.E.A. N° 330190

Soggetta ad attività di direzione e coord. di C.I.M.M. S.p.A.

FAMI EXPORT DEPT.  
 TEL +39 0424 585455  
 FAX +39 0424 585472  
 EXPORT@FAMISPA.COM

[WWW.FAMISPA.COM](http://WWW.FAMISPA.COM)

STOREVAN  
 TEL +39 0424 585455  
 FAX +39 0424 585482  
 INFO@STOREVAN.IT

[WWW.STOREVAN.COM](http://WWW.STOREVAN.COM)