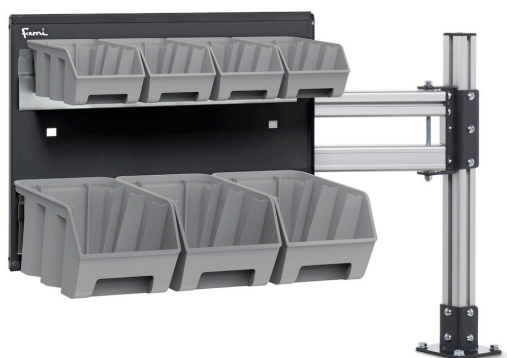


SWIVEL ARM WITH PICKING BOX



The photo is used only for illustrative and non-exhaustive purpose

ART.	EAN	W [mm]	D [mm]	H [mm]	Net weight [kg]
ERGOWORK011	8055719780301	898/515	470/365	628	8,8

Property	Colour	Anthracite grey
	RAL	7016

Sales specifications	Multiple order [NR]	1
	Assembly	Unassembled
	Gross weight [kg]	9,8
	Cardboard weight [kg]	0,862
	Plastic weight [kg]	0,143
	Packaging volume [m ³]	0,0701

Made up of:

Quantity	ART.	Description
1	FBL74160039	Profile with base for worktop
1	FBL74180039	Swivel arm for profile
1	FBL74120039	Monitor support plate with VESA standard
1	FBL74140039	Panel for Picking Box
2	FBLIT020099	Bar mount for Picking Box bins size 1/2
1	FBLIT0610LQ	Kit of 3 Picking Box Air bins size 2
1	FBLIT0600LQ	Kit of 4 Picking Box Air bins size 1

Tolerances: dimensions ±2% | weights ±5%



INNOVATION
SINCE 1929.



Company certificated ISO 9001

FAMIS.r.l.

VIA STAZIONE ROSSANO, 13 – 36027 ROSÀ (VI) ITALY
TEL +39 0424 585455 – FAX +39 0424 585470
INFO@FAMISPA.COM

R.I. DI VICENZA, C.F. & P. IVA IT03498610249
CAPITALE SOCIALE EURO 100.000,00 INT. VERS.
CCIAA VI: R.E.A. N° 330190

Soggetta ad attività di direzione e coord. di C.I.M.M. S.p.A.

FAMI EXPORT DEPT.
TEL +39 0424 585455
FAX +39 0424 585472
EXPORT@FAMISPA.COM

WWW.FAMISPA.COM

STOREVAN
TEL +39 0424 585455
FAX +39 0424 585482
INFO@STOREVAN.IT

WWW.STOREVAN.COM